

Welcome to the AccessibilityOnline Webinar Series



A collaborative program between the
ADA National Network and the
US Access Board



The Session is Scheduled to begin at 2:30pm Eastern Time
We will be testing sound quality periodically

Audio and Visual are provided through the on-line webinar system. This session is closed captioned. Individuals may also listen via telephone by dialing 712-432-3100 code 930098 # (This is **not** a Toll Free number)

The content and materials of this training are property of the US Access Board and the Great Lakes ADA Center and cannot be used and/or distributed without permission. This program is funded through a contract agreement with the U.S. Access Board. For permission to use training content or obtain copies of materials used as part of this program please contact us by email at adata@adagreatlakes.org or toll free (877)232-1990 (V/TTY)

www.AccessibilityOnline.org

1



Webinar Features



- **Closed captioning** – click **CC** icon (top of screen) or control-F8 and adjust the captioning screen as needed
- **Customize your view** – choose “View” from the menu bar at the top of the screen and choose the layout you prefer from the dropdown menu.
- **Questions** - type and submit questions in the Chat Area Text box or press control-M and enter text in the Chat Area
- **Emotions/Hand-raising:** Please do not use these features during this session

2

Presenter

U.S. Access Board



Earlene Sesker

3

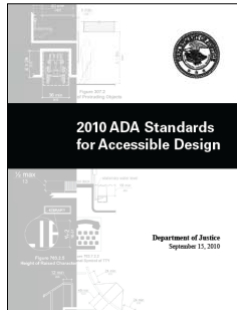
Accessible Schools

Session Agenda

- **Standards**
- **Covered Facilities**
- **Scoping**
- **Classrooms**
- **Common Use Areas**
- **Questions**

4

New ADA Standards



**DOJ's 2010 standards
(mandatory March 15, 2012)**



**Based on the Board's
ADA-ABA Guidelines (2004)**

5

ADA and ABA Standards

ADA :

- DOJ's standards (2010)
- DOT's standards (2006) for transit facilities



ABA (Federal Sector):

- ABA standards updated (GSA, DOD, USPS)
- Update of HUD standards still pending
- (UFAS still applies to housing covered by ABA)

6

Covered Facilities



- Pre-School
- Elementary School
- Middle School
- High Schools
- Colleges and Universities
- Trade Schools

UNITED STATES ACCESS BOARD

7

New Construction

- **All** areas must comply except:
- Exempted structures/spaces
- Work areas (ADA facilities)
- Partially scoped spaces

8

Scoping

- **Parking**
- **Entrances**
- **Accessible routes**
- **Classrooms**
- **Toilet and bathing rooms**
- **Common Use Areas**

9

Accessible Parking Scoping

- **Where visitor, patron, or employee parking is provided**
- **Calculated on a facility by facility basis ***
- **A facility can be a single space, a parking lot, a parking floor within a building, or a stand alone parking structure**

UNITED STATES ACCESS BOARD

10

Accessible Parking Scoping

Table 208.2 Parking Spaces

Total Number of Parking Spaces Provided in Parking Facility	Minimum Number of Required Accessible Parking Spaces
1 to 25	1
26 to 50	2
51 to 75	3
76 to 100	4
101 to 150	5
151 to 200	6
201 to 300	7
301 to 400	8
401 to 500	9
501 to 1000	2 percent of total
1001 and over	20, plus 1 for each 100, or fraction thereof, over 1000

UNITED STATES ACCESS BOARD

11

Passenger Loading Zones



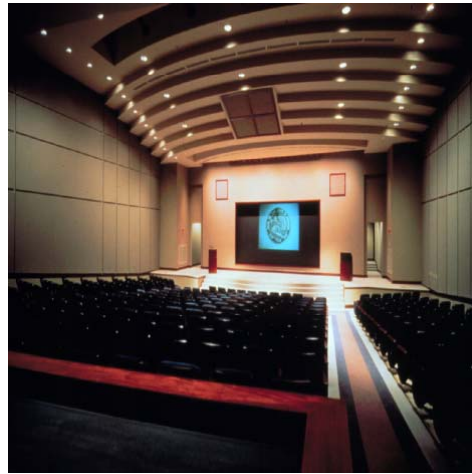
At least 1 for every 100 linear ft. of loading zone space provided

12

Classrooms

Assembly Areas

- Fixed Seats
- Furniture



13

Toilet Rooms in Classrooms

- Those *within* classrooms are required to be accessible.



UNITED STATES ACCESS BOARD

14

Clustered Toilet Rooms

New exception:

Access to at least 50% of single user toilet rooms clustered at one location that serve same users (instead of 100%)

UNITED STATES ACCESS BOARD

15

Common Use Areas

All must be accessible unless otherwise stated.



UNITED STATES ACCESS BOARD

16

Public Use Areas



Office and Waiting Areas

UNITED STATES ACCESS BOARD

17

Public Use and Common Use Toilet Rooms

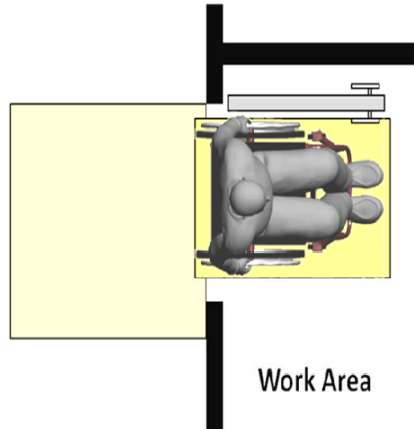


UNITED STATES ACCESS BOARD

18

Work Areas (ADA) Access for “approach, entry, & exit”

- Door man. clearance (exterior)
- Compliant door (clear width, hardware, opening force, etc.)
- Clear floor space
- Recommended:
 - Interior door man. clearance
 - Turning space



UNITED STATES ACCESS BOARD

19

Accessible Routes Scoping



Connect: Boundary of site with bus stops, *accessible* parking, passenger loading zones, and entrances

UNITED STATES ACCESS BOARD

20

Entrances

At least 60% of public entrances to comply

Also:

- **Direct access from parking structures (all)**
- **Direct access from tunnels or elevated walkways**
- **Entrances to different tenant spaces**
- **Restricted or secured entrances (at least 1)**

UNITED STATES ACCESS BOARD

21

Accessible Routes

- **Coincident with routes used by others**
- **Same general area**

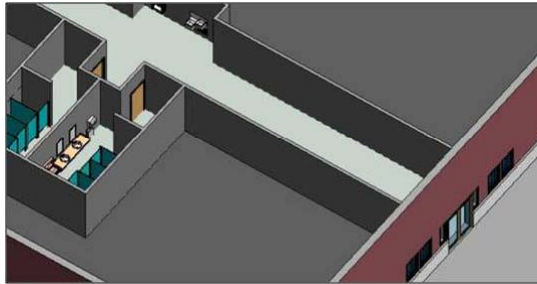


UNITED STATES ACCESS BOARD

22

Interior Accessible Routes

- At least one accessible route connecting accessible entrance with accessible spaces and elements (all)



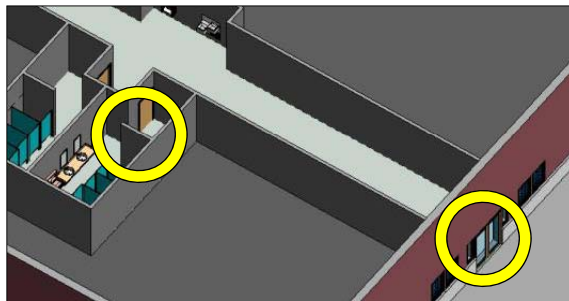
UNITED STATES ACCESS BOARD

23

Doors

Covers doors providing user passage at:

- required accessible entrances
- accessible rooms/spaces (at least 1)
- along accessible routes & MOE



UNITED STATES ACCESS BOARD

24

Vertical Access (Elevators) Required

- Title II entities
- Professional Offices of a Healthcare Provider
 - Where a State-regulated professional provides physical or mental health services to the public

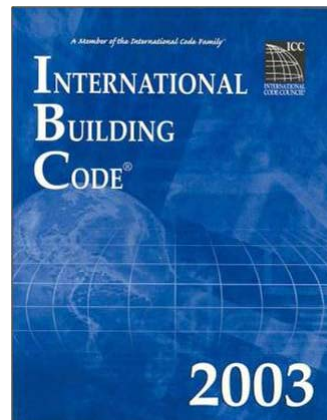


UNITED STATES ACCESS BOARD

25

Accessible Means of Egress

- Reference to the International Building Code (IBC)
- Standby power for platform lifts on egress routes



UNITED STATES ACCESS BOARD

26

Wheelchair Accessible Public Telephones

- Coin-operated and coinless public pay telephones
- Public closed-circuit telephones
- Public courtesy phones

1 phone or 1 bank per floor, level, and exterior site provided, 1 per floor, level or exterior site

2 or more banks per floor provided, 1 per bank

UNITED STATES ACCESS BOARD

27

Dressing, Fitting, & Locker Rooms

Access to at least 5% of each type of use in each cluster



28

Ground-level Requirement One of Each Type



29

Minimum Number of Elevated Components

50% of all elevated play components in a play area must be reached by an accessible route



Less than 20 elevated components: ramp and/or transfer = 50%

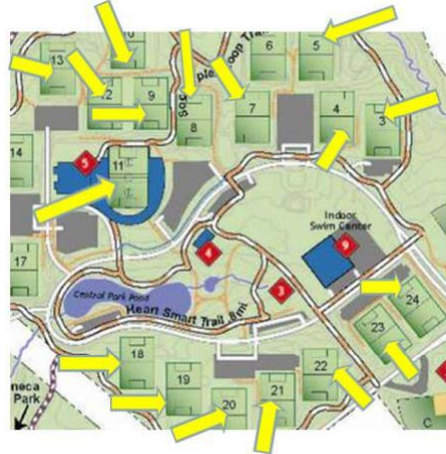


20 or more elevated components: 25 % ramp + 25% ramp and/or transfer = 50%

30

Area of Sport Activity

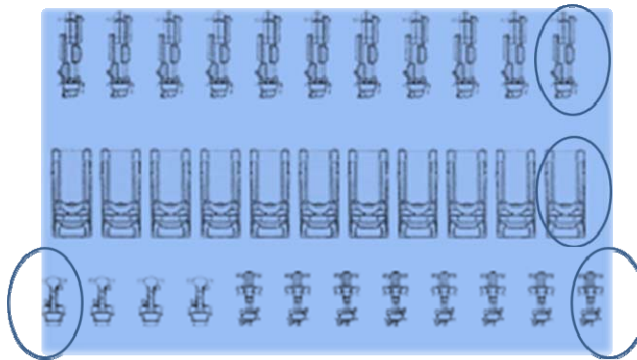
- Accessible route to each area of sport activity
- Exempt from firm, stable, and slip resistant surface



UNITED STATES ACCESS BOARD

31

Exercise Equipment and Machines



One of each type

UNITED STATES ACCESS BOARD

32

Swimming Pools

- **Required means of access into the water**
 - Over 300 linear ft of pool wall = 2 (one primary)
- **Less than 300 linear ft of pool wall = 1 lift or sloped entry**



UNITED STATES ACCESS BOARD

33

Technical Requirements

UNITED STATES ACCESS BOARD

34

Passenger Loading at Entrance

- Canopy not required (2010 ADA Standard)



UNITED STATES ACCESS BOARD

35

Accessible Entrances Automatic Doors Recommended



UNITED STATES ACCESS BOARD

36

Protruding Objects



Alcove or wing wall removes the drinking fountain from the circulation path

UNITED STATES ACCESS BOARD

37

Toilet Rooms, Classrooms, Public Use and Common Use Areas

UNITED STATES ACCESS BOARD

38

Water Closet Clearance

Not permitted in 2010 Standards

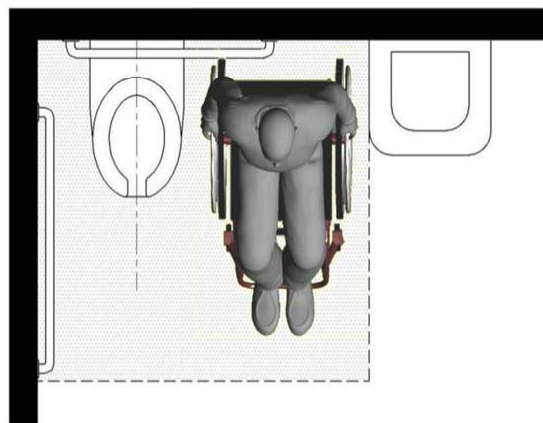


UNITED STATES ACCESS BOARD

39

Water Closet Clearance

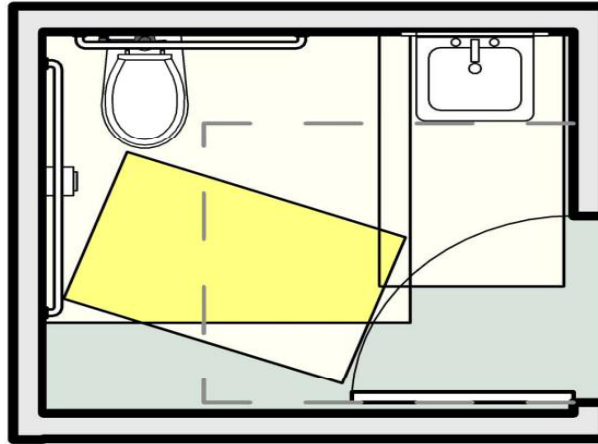
Allows space for side transfers



UNITED STATES ACCESS BOARD

40

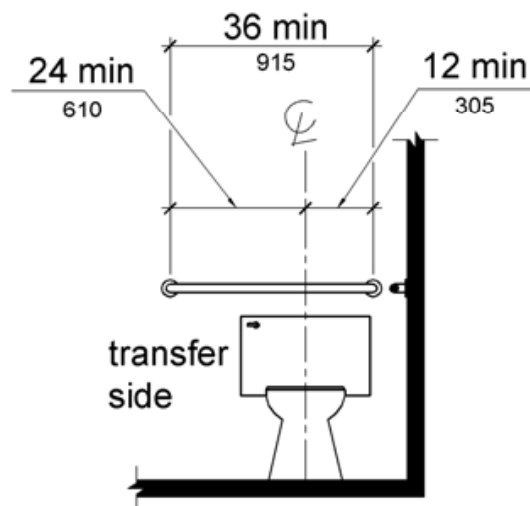
Toilet Room



Door can swing into fixture clearances where unobstructed wheelchair space is available beyond

41

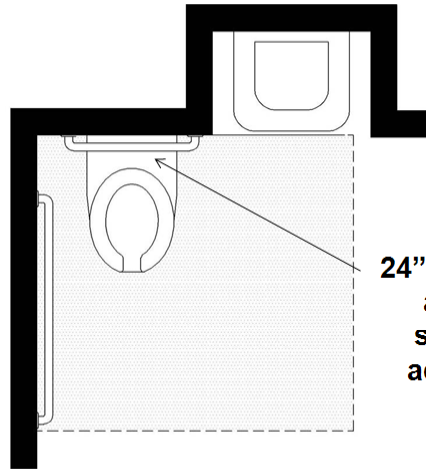
Rear Grab Bar



UNITED STATES ACCESS BOARD

42

Recessed Fixture Saves Space



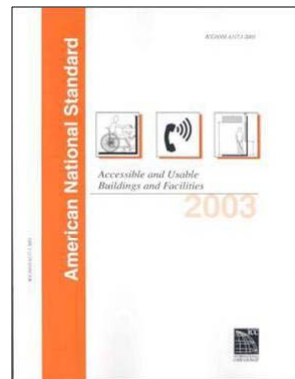
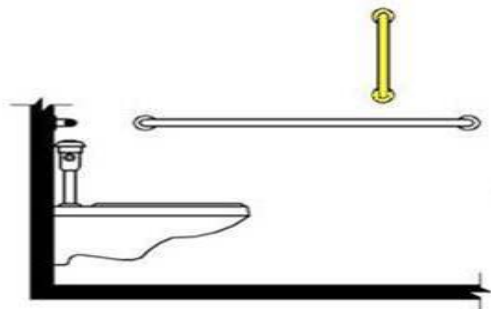
24" min. rear grab bar
allowed by new
standards where
adjacent fixture is
recessed

UNITED STATES ACCESS BOARD

43

Grab Bars

ANSI A117.1 requires 18" min. vertical grab bar
(ADA and ABA guidelines do not)

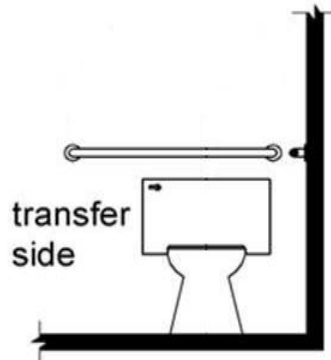


44

Flush Controls

Location: open side of water closet

Height: 48" max.



45

Grab Bars

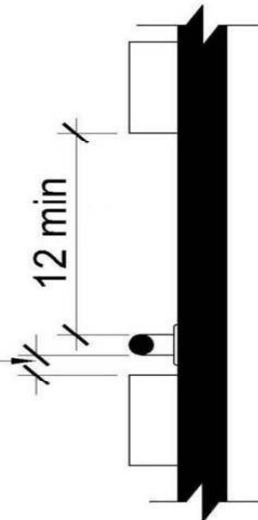
Clearances:

- 1 ½" behind (absolute)
- 1 ½" min. below

New:

- 12" min. above

1 ½ min



46

Dispensers

Common problem: large dispensers above grab bar impact usability

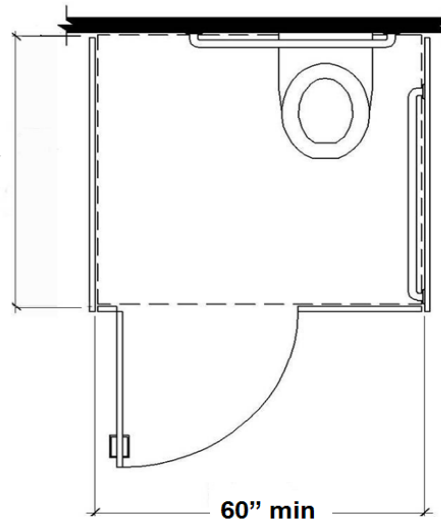


47

Toilet Stalls

Standard Stall

56" min. (wall hung WC)
59" min. (floor-mounted or
children's WC)



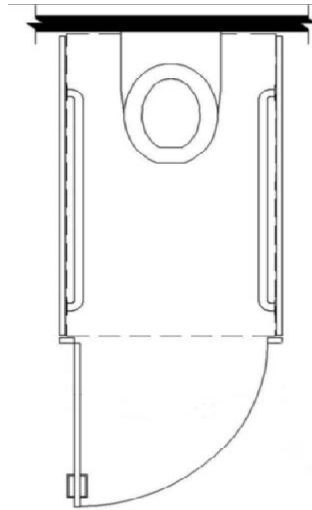
48

Ambulatory Stall

- parallel grab bars
- width: 36" (absolute)
- doors: out-swinging, self-closing

New standards:

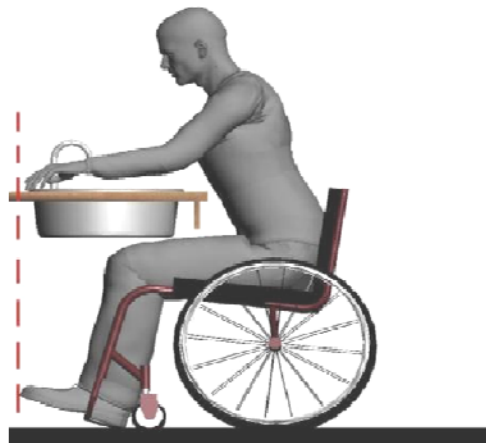
- width: 35" – 37"
- depth: 60" min.



49

Lavatories

Locate controls & dispensers above, not beyond, usable CFS to be within reach



50

Lavatories

Tip: Avoid hospital style lavs with deep projections



They take up more space and require a greater reach to faucet controls and dispensers

51

Children's Toilets

Alternate Specifications:

- WC centerline 12" – 18"
- WC seat height 11" – 17"
- Grab bar height 18" – 27"
- Dispenser height 14" – 19"

UNITED STATES ACCESS BOARD

52

Children's Toilets

Advisory information provides guidance according to age group

	Ages 3 & 4	Ages 5 - 8	Ages 9 - 12
WC Centerline	12 in	12 - 15 in	15 - 18 in
Toilet Seat Height	11 - 12 in	12 - 15 in	15 - 17 in
Grab Bar Height	18 - 20 in	20 - 25 in	25 - 27 in
Dispenser Height	14 in	14 - 17 in	17 - 19 in

UNITED STATES ACCESS BOARD

53

Children's Lavatories

Exceptions based on age of intended users

Ages 6 - 12:

24" high min. knee clearance allowed
(if lav. 31" high max.)

Ages 5 and under:

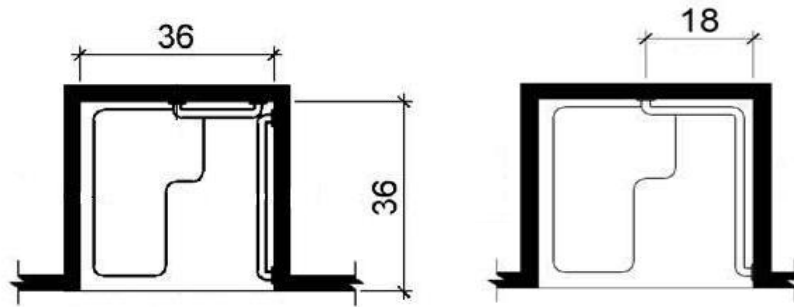
Side approach permitted

UNITED STATES ACCESS BOARD

54

Transfer Stall

Stall dimensions: absolute, not minimum
New standards: 36" measured at center point

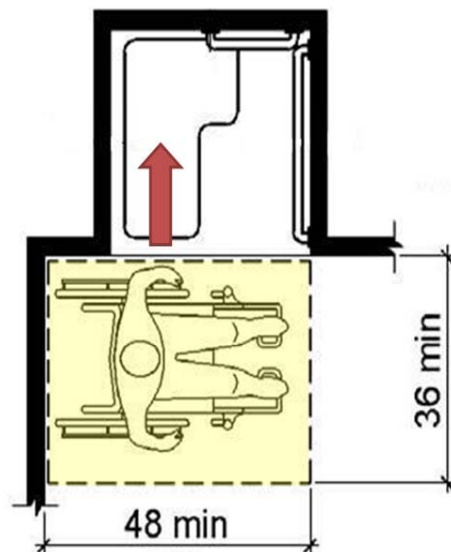


Grab bars can be continuous or split

55

Transfer Stall

Clear floor space
positioned for
alignment with seat

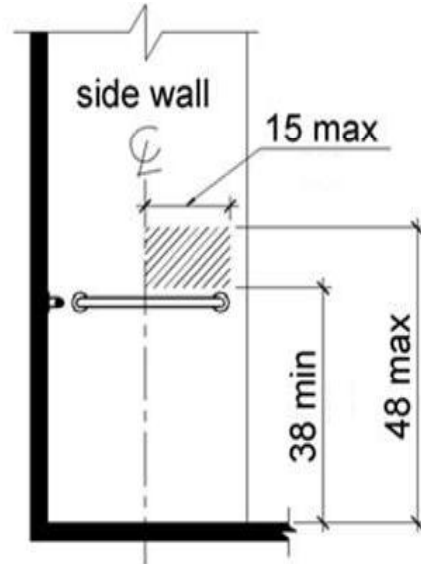


56

Transfer Stall

Control location near opening (usable from outside stall)

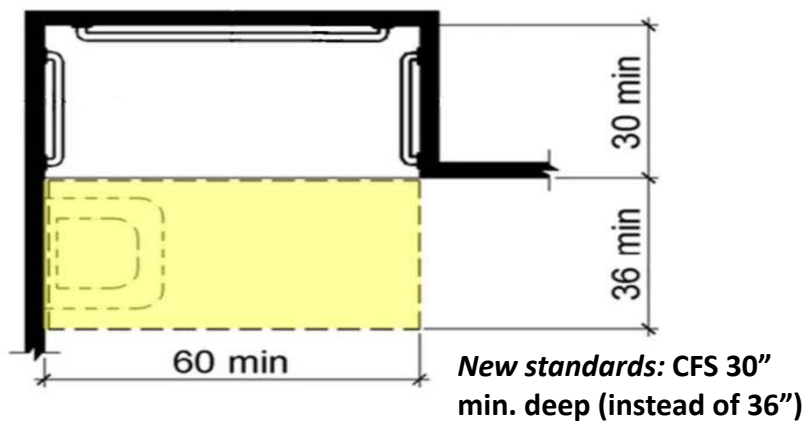
Curb: $\frac{1}{2}$ max.



57

Roll-in Shower (no seat)

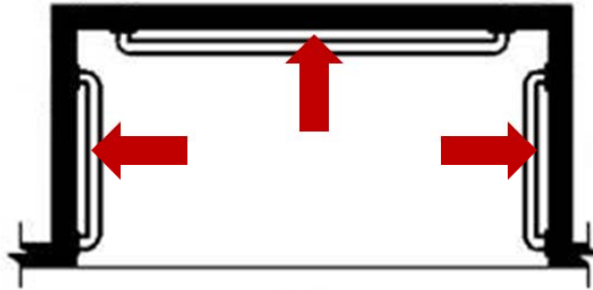
Stall dimensions and clear floor space
(lav. can overlap space)



58

Roll-in Shower (no seat)

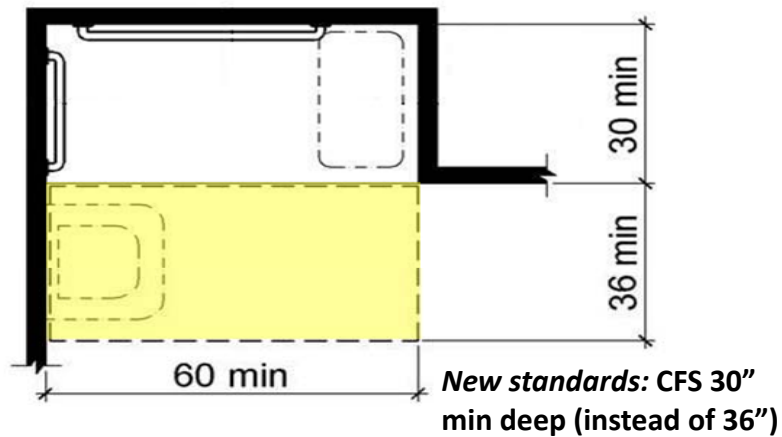
Shower head and controls permitted on any wall if no seat provided



59

Roll-in Shower (with seat)

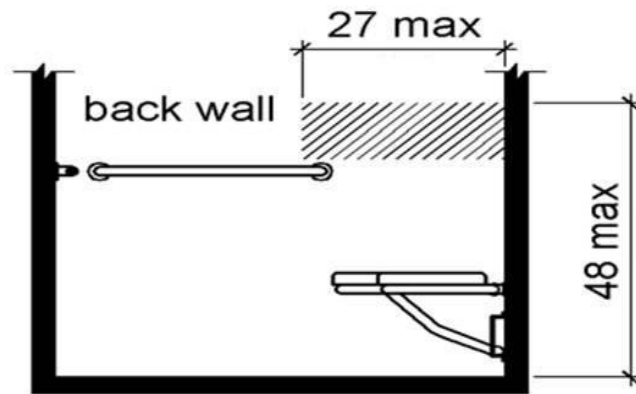
grab bar ends at seat, seat must be folding



60

Roll-in Shower (with seat)

Shower head/controls required on back within reach from seat



61

Classrooms

- Accessible Route
- Doors
- Turning Space
- Wheelchair Space

UNITED STATES ACCESS BOARD

62

Assembly Areas

Wheelchair Spaces
lower scoping for
assembly areas with
more than 500 seats:



- 501 – 5,000 seats: 1 space/ every 150 seats (instead of 1%)
- > 5,000: 0.5% scoping

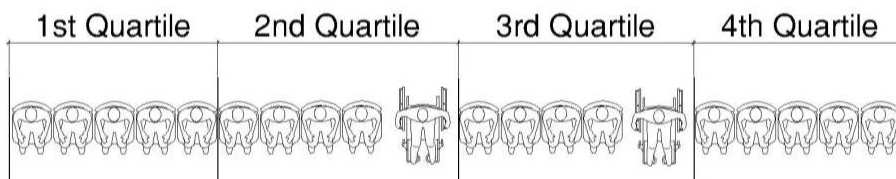
UNITED STATES ACCESS BOARD

63

Assembly Areas

Horizontal Dispersion

**Exception (300 seats max.) if:
Spaces & companion seats located in
the 2nd or 3rd quartile of row**



UNITED STATES ACCESS BOARD

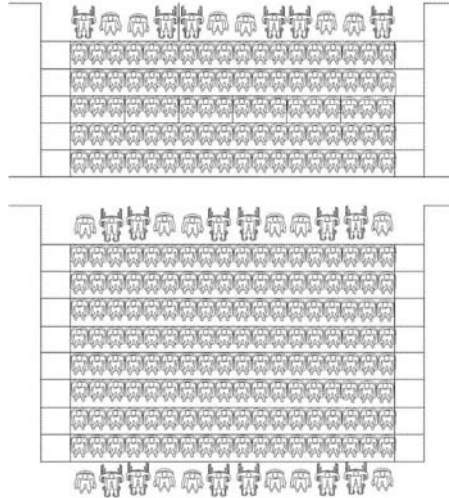
64

Assembly Areas

Vertical Dispersion

Exception (300 seats max.) if:

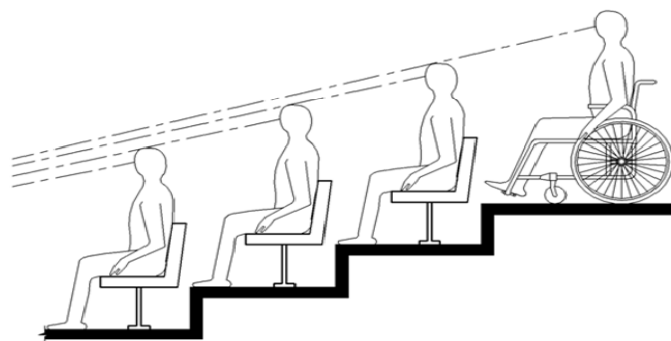
Viewing angles = or better than the average viewing angles in the assembly area



UNITED STATES ACCESS BOARD

65

Assembly Areas

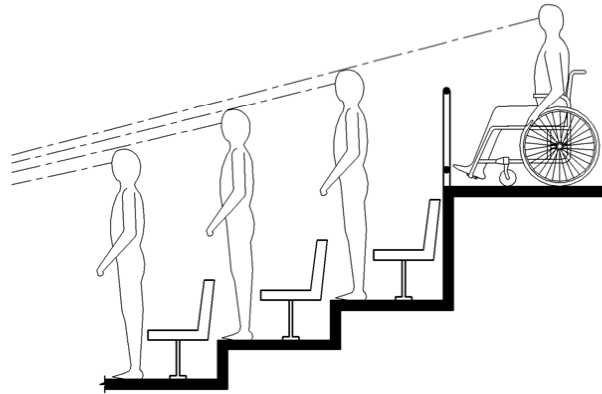


Wheelchair spaces must provide comparable lines of sight

UNITED STATES ACCESS BOARD

66

Assembly Areas



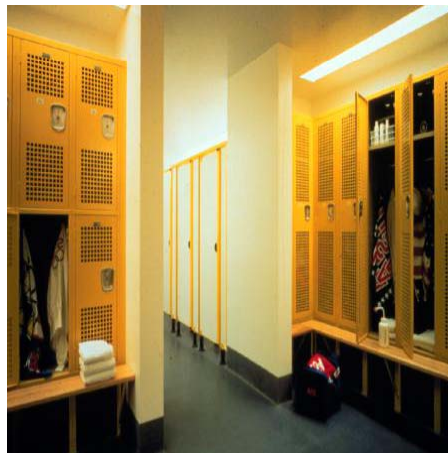
lines of sight over standing spectators

UNITED STATES ACCESS BOARD

67

Locker Room

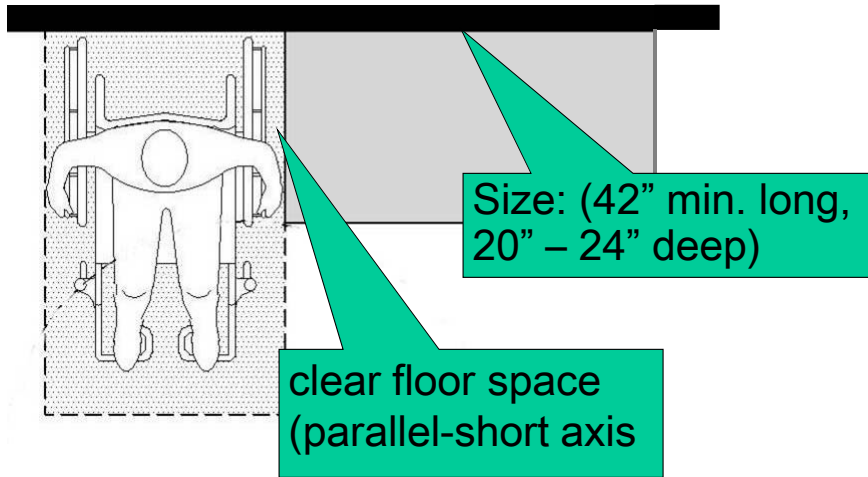
- Turning Space
- Door
- Benches
- Coat Hooks and Shelves



UNITED STATES ACCESS BOARD

68

Benches



69

School Office



UNITED STATES ACCESS BOARD

70

Sales and Service Counters

- **Full depth of transaction counter @ 36” max.**
- **Parallel or forward approach**
 - **Knee and toe space for forward**
- **Removed: alternatives to counter access**

UNITED STATES ACCESS BOARD

71

Cafeterias

- **Accessible tables on accessible routes**
- **Tray slide height – 28” min. and 34” max.**
- **Self-service shelves and dispensing devices for tableware, dishware, condiments, food and beverages within reach**
- **Accessible check-out counters**

UNITED STATES ACCESS BOARD

72

Cafeterias

- Ensure knee and toe space beneath tables



UNITED STATES ACCESS BOARD

73

Library



UNITED STATES ACCESS BOARD

74

Ground Level Accessible Routes



- Surface
- Clear width
- Clear width reductions
- Changes in level
- Running Slope
- Cross Slope
- Openings
- Protruding Objects

75

Elevated Accessible Routes

- Ramps



- Transfer Systems



76

Area of Sport Activity

- Court Sports –
- Accessible route to directly connect both sides of the court



UNITED STATES ACCESS BOARD

77

Swimming pools

- Required means of access into the water
 - Over 300 linear ft of pool wall = 2 (one primary)
 - Less than 300 linear ft of pool wall = 1 lift or sloped entry



UNITED STATES ACCESS BOARD

78

Communications

- TTY's and Telephones
- Visual Alarms
- Signs
- Patient and visitor information

UNITED STATES ACCESS BOARD

79

2-Way Communication Systems



**Entrances:
Communication
devices must
have both visual
and audible
signals**

80

TTY's and Volume Controls

- **Public *pay* telephones**
 - Banks of 4 or more units - 1/bank unless banks are within 200'
 - Where phones are provided at hospital emergency room, recovery room, or waiting room – at least one TTY
- **Volume Controls**
 - At all *public* phones



UNITED STATES ACCESS BOARD

81

Visual Alarms

Visual alarms, where required, must be located in toilet and bathing facilities and all other public and common use spaces



82

Signs

- All signs “designating permanent rooms and spaces must have raised letters and braille
- Informational signs must comply with provisions for low-vision access
- EXEMPT: Directories, menus, occupant names, building addresses, and company names and logos

UNITED STATES ACCESS BOARD

83

Types of Signs



Exempt Directory

Directional



Room Designation

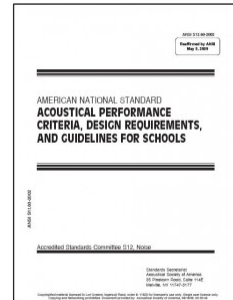
UNITED STATES ACCESS BOARD

84

Classroom Acoustics

- **ANSI/ASA S12.60 CLASSROOM ACOUSTICS STANDARD**

- Permanent Schools (Part I)
- Relocatable Classrooms (Part II)



UNITED STATES ACCESS BOARD

85

Questions?

You May Type and Submit questions in the Chat Area Text Box or press Control-M and enter text in the Chat Area

86

U.S. Access Board

(800) 872-2253 (Voice)

(800) 993-2822 (TTY)

E-mail: ta@access-board.gov

www.access-board.gov

UNITED STATES ACCESS BOARD

87

Thank you for participating in
today's webinar



Next scheduled session:

Accessible Golf Courses

January 5, 2012

www.accessibilityonline.org

(877) 232-1990 (V/TTY)

UNITED STATES ACCESS BOARD

88